

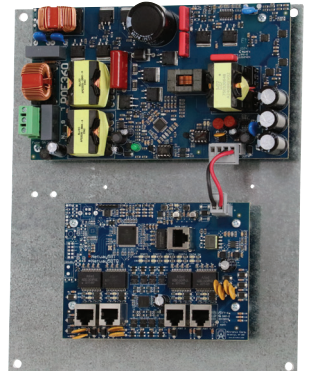
NetWay5BTPL

5-port Hardened 802.3bt 4PPoE Switch with Power Supply/Charger on a Backplane



Altronix NetWay5BTPL powered hardened 4PPoE switch provides a network data uplink and four (4) IEEE802.3af/3at/3bt PoE ports rated at 90W each, with 240W total power. It can power IP devices, such as PoE access controllers and cameras. Other applications may include integrating network door access systems with video surveillance.

For managed switch see model NetWay5BTQPL.



NetWay5BTPL

Key Features

- Four (4) IEEE802.3af/3at/3bt PoE ports rated at 90W each
- IEEE802.3af/3at/3bt compliant
- 240W total power
- Built-in charger for sealed lead acid or gel or LiFePO₄ (lithium iron phosphate) type batteries
- Automatic switch over to stand-by battery when AC fails
- PoE activity LED indicators
- CE European Conformity
- Lifetime Warranty

Similar products

NetWay5BTWPX	Outdoor 5-port Hardened 802.3bt 4PPoE Switch in NEMA 4/4X, IP66-11 enclosure which accommodates stand-by batteries
NetWay5BTWP	Outdoor 5-port PoE+ Hardened Switch in NEMA 4/4X, IP66-11 enclosure
NetWay5BTWPN	Outdoor 5-port Hardened 802.3bt 4PPoE Switch only in NEMA 4/4X, IP66-11 enclosure
NetWay5BTX	Indoor 5-port Hardened 802.3bt 4PPoE Switch in NEMA 1 Rated indoor enclosure
NetWay5BT	5-port Hardened 802.3bt 4PPoE Switch (board only)

Lifetime Warranty

NetWay5BTPL

5-port Hardened 802.3bt 4PPoE Switch with Power Supply/Charger on a Backplane



Specifications

Input

Voltage	115VAC, 60Hz, 1.8A or 230VAC, 50/60Hz, 1A
Input Fuse	5A/250V

Power Output

Maximum Power	Four (4) 1IEEE802.3af/3at/3bt PoE ports rated at 90W each IEEE802.3af/3at/3bt compliant 240W total power Integral surge protection
---------------	--

Uplink Port Single data port

Ethernet Ports

Five (5) 10/100/1000 Mbps ports
Connectivity: RJ45, auto-crossover
Wire type: 4-pair CAT5e or higher structured cable
Distance: up to 100m
Speed: 10/100/1000 Mbps, half/full duplex, auto negotiation

Battery Charging

Type 24VDC charging circuit charges
LiFePO₄ (Lithium Iron Phosphate) or
sealed lead acid or gel type batteries
(require separate ventilated enclosure)

Failover Upon AC loss, instantaneous

Batteries are sold separately
Separate ventilated enclosure is required

Indicators (LED)

Individual PoE On LEDs for each port
Individual IP Link status, 10/100Base-T/active LEDs for each port

Agency Listings

CE European Conformity

Physical and Environmental

Backplane:	10.75" x 8.875" x 2.375" (273.1mm x 225.4mm x 60.3mm)
Shipping:	12" x 10" x 8" (304.8mm x 254mm x 203.2mm)

Weight (approx.)

Product:	2.6 lb. (1.18 kg)
Shipping:	4.0 lb. (1.81 kg)

Temperature

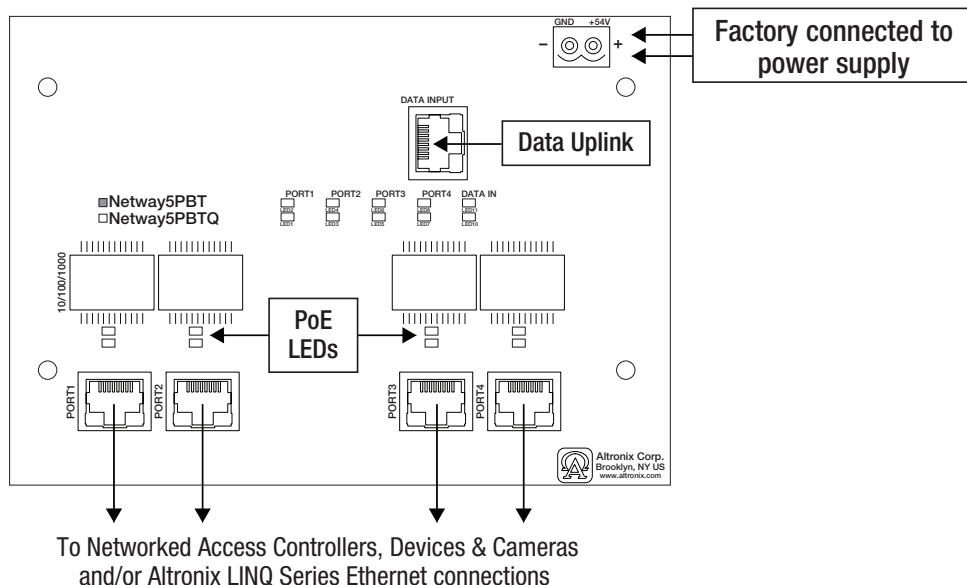
Operating:	
240W:	- 30°C to 55°C (- 22°F to 131°F)
180W:	- 30°C to 65°C (- 22°F to 149°F)
150W:	- 30°C to 75°C (- 22°F to 167°F)
Storage:	- 40°C to 85°C (- 40°F to 185°F)

Relative Humidity 85% +/- 5%

BTU/Hr (approx.) 123 BTU/Hr.

Operating Altitude: - 304.8 to 2,000m

Typical Application



Lifetime Warranty

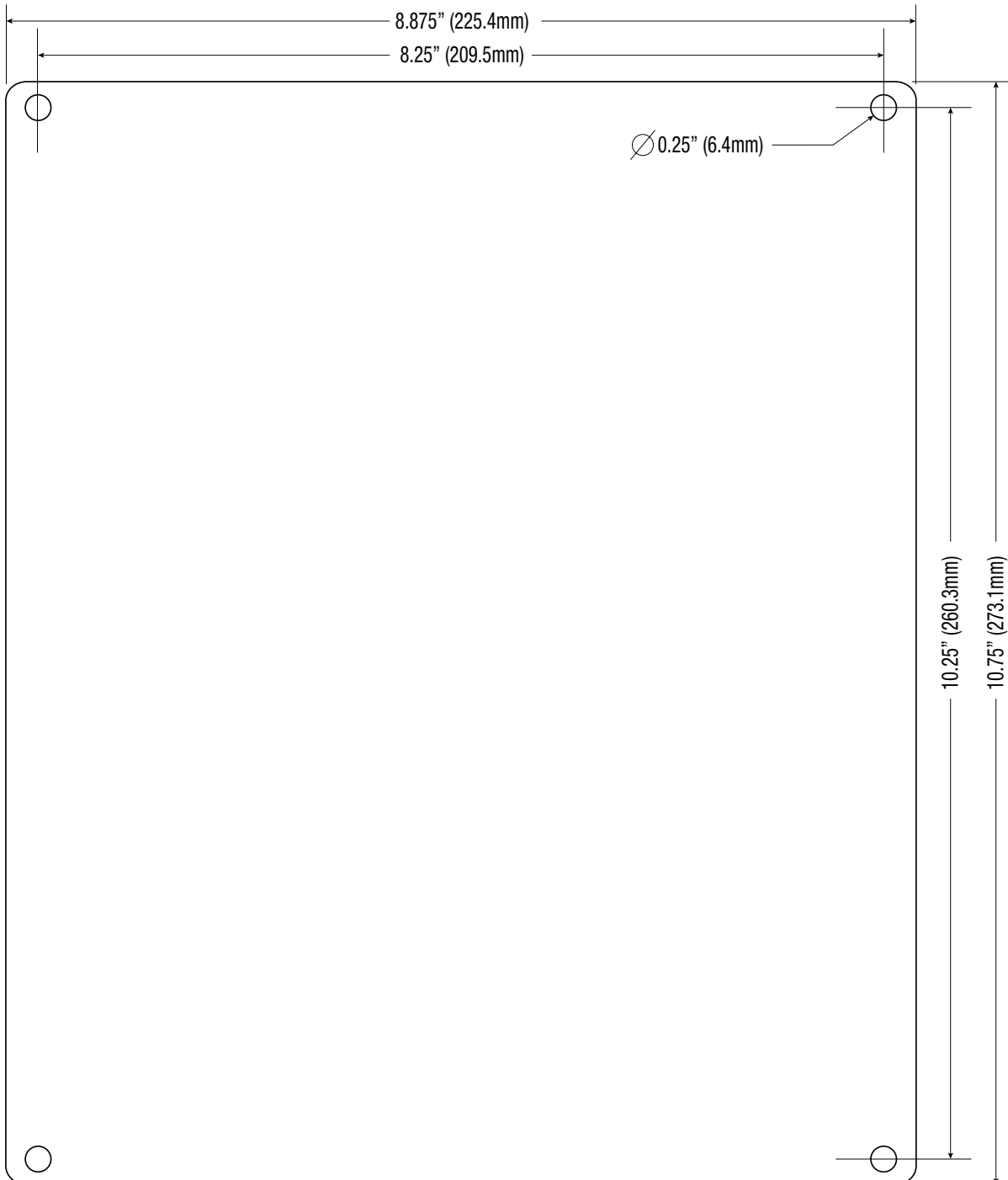
NetWay5BTPL

5-port Hardened 802.3bt 4PPoE Switch with
Power Supply/Charger on a Backplane



Dimensions and Drawing

Backplane Dimensions (H x W x D approximate)
10.75" x 8.875" x 2.375" (273.1mm x 225.4mm x 60.3mm)



Lifetime Warranty

Altronix Corporation | 140 58th St | Brooklyn, NY 11220 USA

phone: +1 718.567.8181 | fax: +1 718.567.9056 | email: info@altronix.com | www.altronix.com